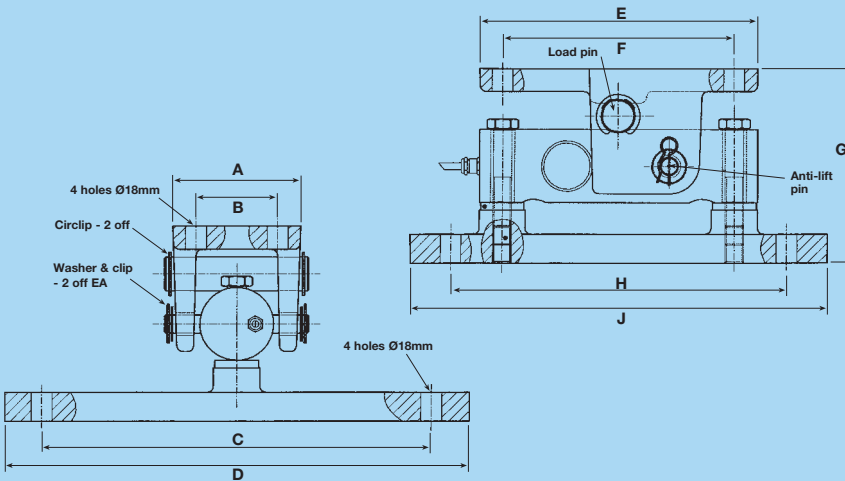


technical specification sheet

Series T40 LA

	Load Cell Capacity		Units
	0 - 25000	0 - 50000	
Load ranges	0 - 25000	0 - 50000	kg
Rated Output	2	2	mV/V ± 0.25%
Combined Error	< ± 0.25	< ± 0.25	%*
Non-repeatability	< ± 0.02	< ± 0.02	%*
Creep (30 minutes)	< ± 0.03	< ± 0.03	%*
Temperature Effect on Zero Balance	< ± 0.005	< ± 0.005	%*/°C
Temperature Effect on Span	< ± 0.005	< ± 0.005	%*/°C
Compensated Temperature Range	-10 to +40	-10 to +40	°C
Operating Temperature Range	-40 to +80	-40 to +80	°C
Safe Overload	150	150	%*
Ultimate Overload	300	300	%*
Zero Balance	< ± 2	< ± 2	%*
Input Resistance	380	380	Ω ± 30
Output Resistance	350	350	Ω ± 1.5
Insulation Resistance	> 500	> 500	MΩ @ 100V DC
Recommended Supply Voltage	10	10	V
Maximum Supply Voltage	15	15	V
Cable Length	10	10	m
Protection Class	IP 68	IP 68	-

*With respect to rated output



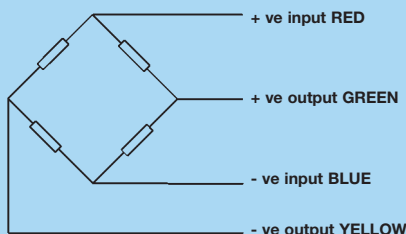
Capacity (te)	A	B	C	D	E	F	G	H	J
25 te	110	70	335	400	240	200	163	290	360
50 te	110	70	335	400	240	200	180	290	360

All dimensions in mm

Electrical Connections

Via 4 core, 7/0.2mm (0.22mm²), screened polyurethane (BLUE) cable.

Screen not connected electrically to load cell.



Mechanical Connections

Via 8 off 18mmØ attachment holes - 4 in the top bracket and 4 in the platform base.

Construction

Load cell manufactured from high strength stainless, type 17-4PH, electro-polished and fully welded and sealed to IP68.

Brackets manufactured from iron spheroidal graphite castings and coated with Auto-Phoretic paint (Black).

Our policy is one of continuous product enhancement. We therefore reserve the right to incorporate technical modifications without prior notification.

Distributed by

Thames Side - Maywood

Thames Side-Maywood Limited

17 Stadium Way, Reading

Berkshire RG30 6BX UK

Tel: +44(0)118 9458200

Fax: +44(0)118 9458225

E-mail: sales@thames-side.co.uk

Web: www.thames-side.co.uk

A
HALMA
GROUP
COMPANY

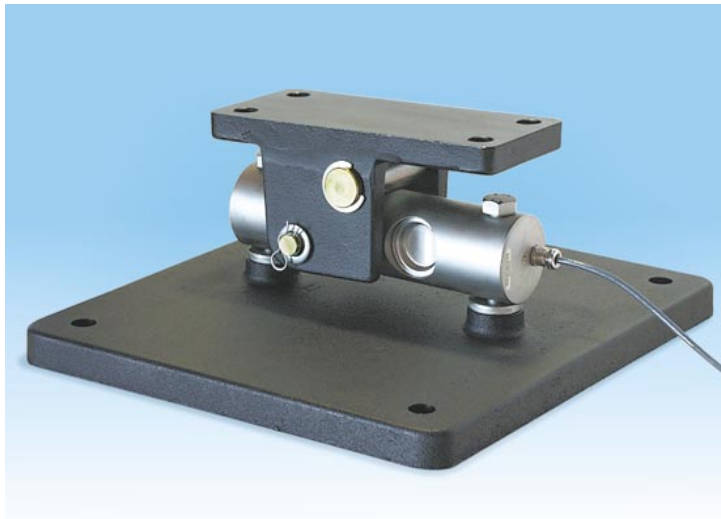


Approval No: 925394

Series T40 LA

Load cell assembly allowing ease of installation for silo weighing

capacities 25 te to 50 te



stainless steel load sensor

'auto-phoretic' toughened surface (assembly only)

fully welded construction, sealed to IP68

low profile

tilting/rocking top plate

compensation for steelwork misalignment

load spreading base plate

integral lift off prevention

simple low cost installation

5 year warranty

A stainless steel, fully welded, dual pocket shear beam load cell with integral lift off prevention. The load cell assembly is ideal for general commercial weighing of tanks, silos and vessels. Supplied complete with loading brackets the assembly offers simple low cost installation.

Thames Side - Maywood

...your specialist load cell partner